

Have fun

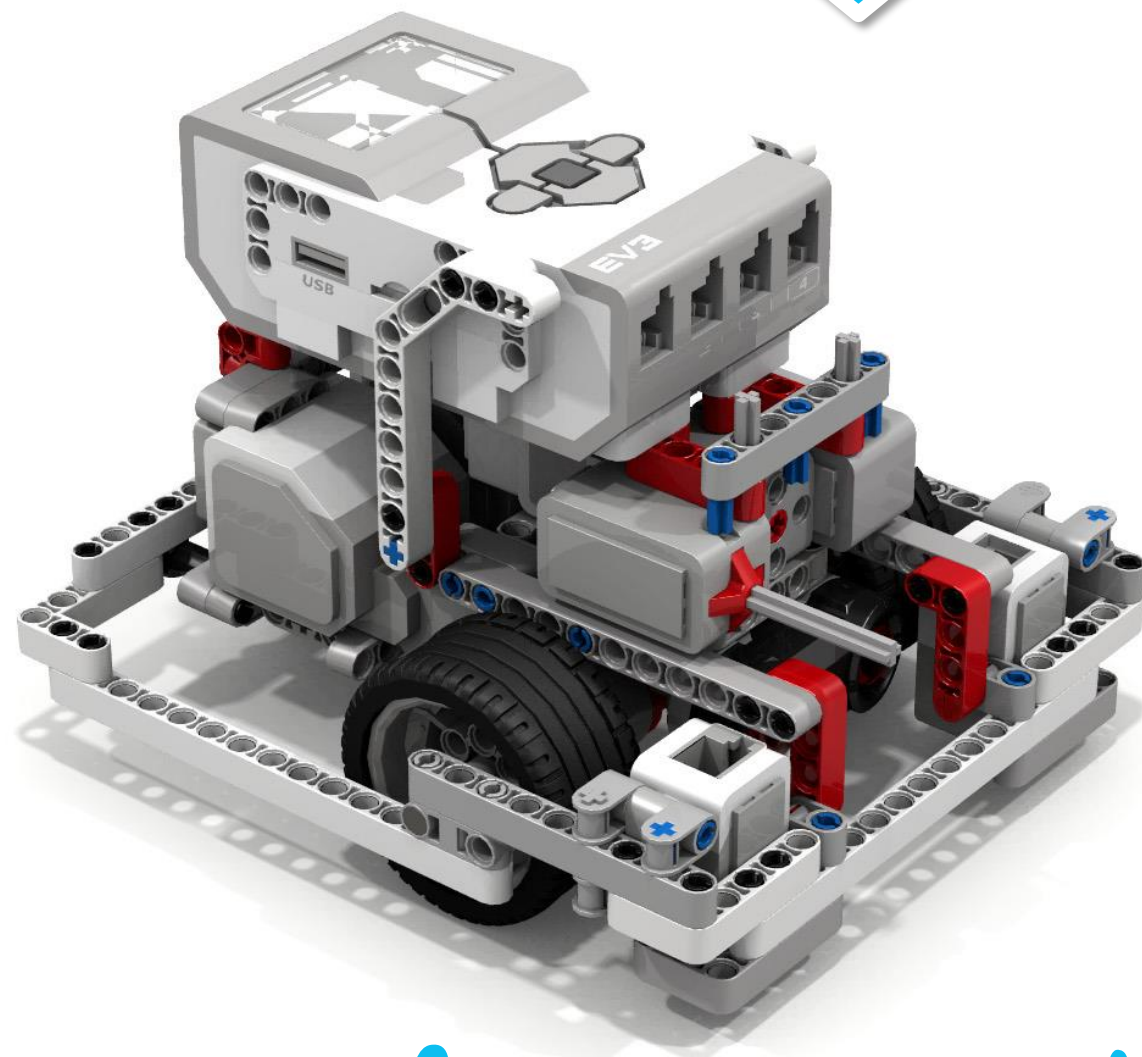
with your
teacher, friends,
and all students
in the club.

Be safe

with the
computers, robots,
and people
in the club.

Be friendly

with your
speech and
actions.



Be respectful

of other people
by listening and
focusing on the
positive aspects of ideas.

Look after the equipment
and ask other teams
before borrowing equipment.

Ask for help

from your friends
and teachers.

All designs can be shared
and copied by others.

Sharing and combining ideas
will help us make
awesome robots!

Rules of the robotics social club



inclusion ED
supporting diverse learners



Australian Government
Department of Industry,
Innovation and Science

Business
Cooperative Research
Centres Program